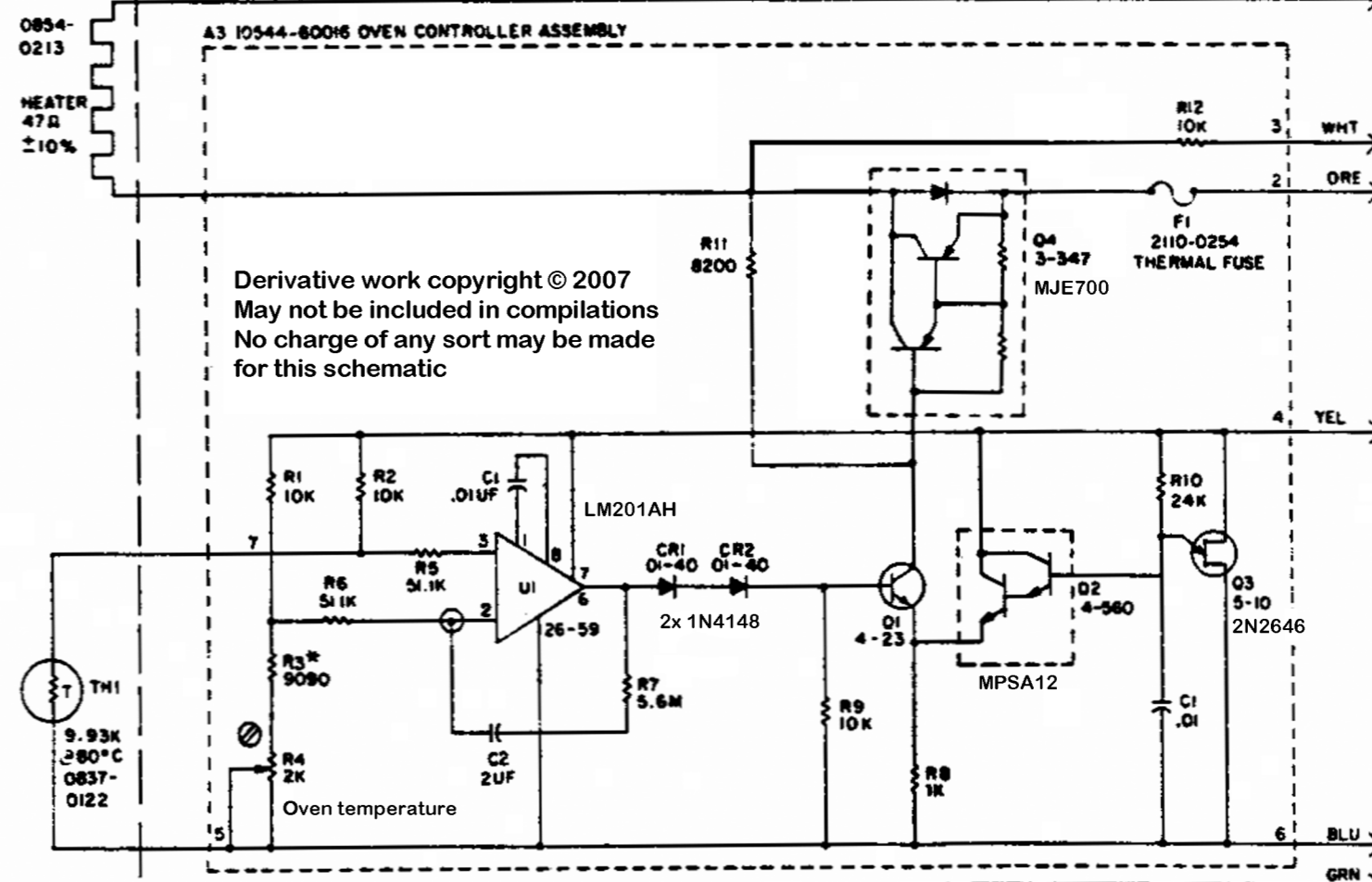
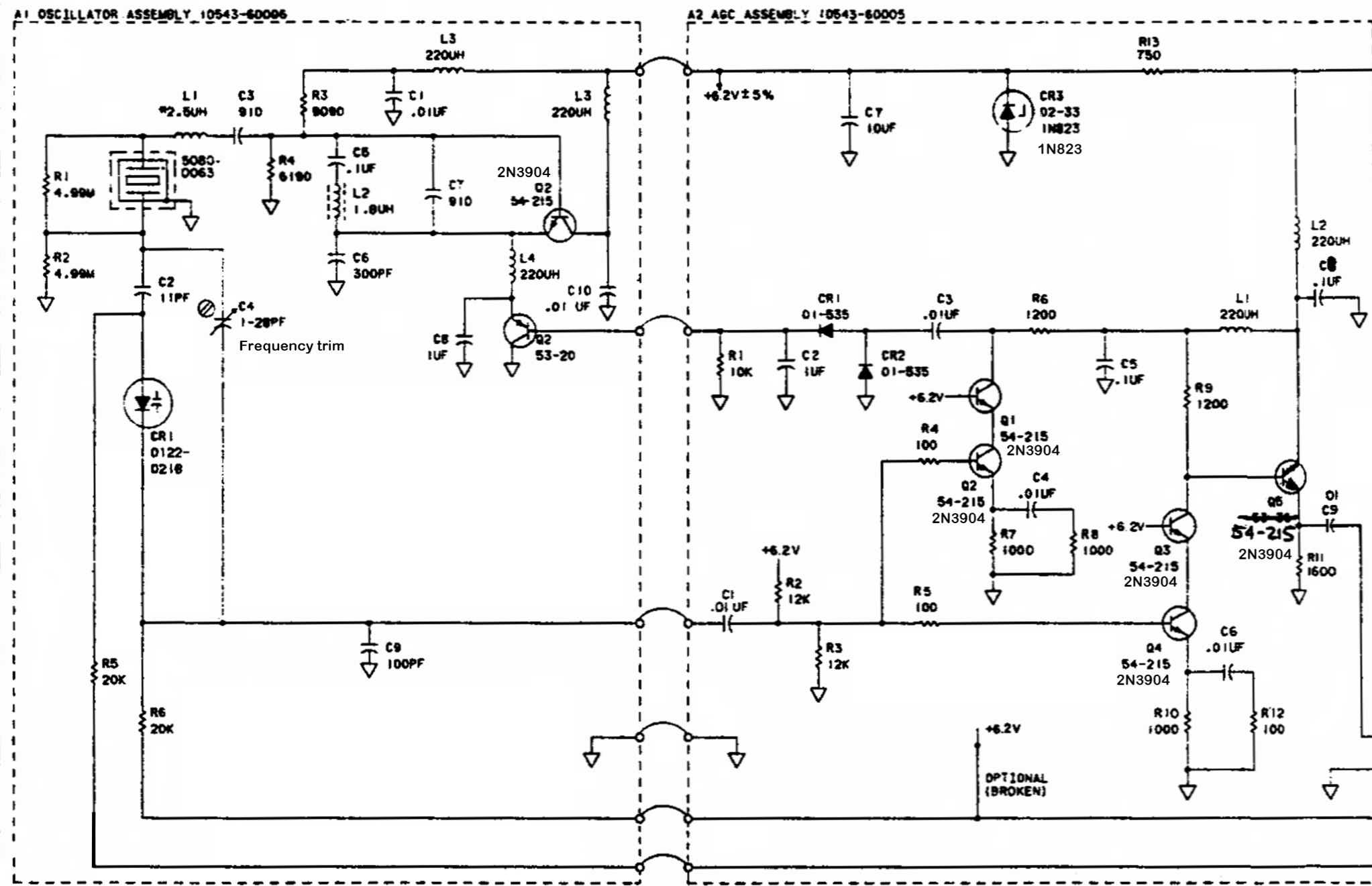
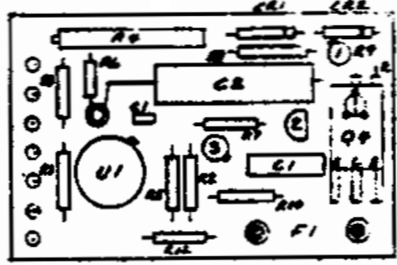
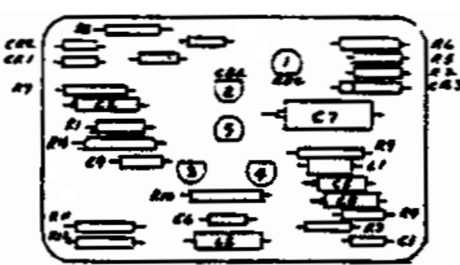
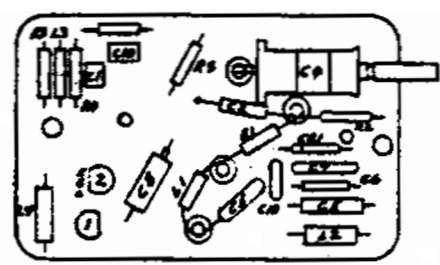


AGC OSC ASSEMBLY 10544-60019



Derivative work copyright © 2007  
 May not be included in compilations  
 No charge of any sort may be made  
 for this schematic

- 3 RED +11.0 TO +13.5 VDC OSC. AMP SUPPLY
- 15 RED OVEN RETURN
- 3 WHT 11 OVEN MONITOR
- 2 ORE 14
- 4 YEL 8 OVEN CONTROLLER INPUT +11.0 TO 13.5VDC
- 6 BLU 9 NEGATIVE OVEN CONTROLLER
- 1 GRN 10 10 MHz, 1.0V RMS I.O.R. OUTPUT
- 2 BLK 2 GROUND
- 4 4 OSC/AMP AND SIGNAL COMMON
- 5 GND 5 GROUND
- 6 BRN 6 -EFC INPUT
- 7 +EFC INPUT (OPTIONAL)



10544-60011 XTAL OSC. ASSEMBLY

REVISION: 5-27-76  
 DRAWN BY: G. MANDOLFO

DO NOT SCALE THIS DRAWING	L. BLIELER 5-27-76	SCHEMATIC XTAL OSC ASSY	HEWLETT-PACKARD
UNLESS OTHERWISE SPECIFIED DIMENSIONS ARE IN INCHES.	G. MANDOLFO 5-27-76		
TOLERANCES UNLESS SPECIFIED	10544-60011	E-10544-60011-3	